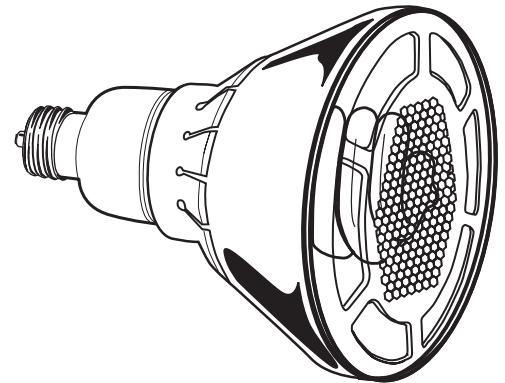


R-40 Uniflood™ Modular System

The New Uniflood™ Lamps are perfect for recessed can downlight fixtures. The shorter reflector allows for a better fit and the patented UL-listed SpringLamp® technology provides advanced light quality.

A modular design allows replacement of individual parts so you can replace the lamp and maximize ballast life for an enhanced return on investment.



TCP Part Number	Watts	Incandescent Watts Comparison	Ballast Type / Special Features Colors / CRI	Input Line Current	M.O.L. (Inches)	Diameter (Inches)	Initial Lumens	Power Factor	Total Harmonic Distortion	Replacement Lamp	Dimming Range
-----------------	-------	-------------------------------	--	--------------------	-----------------	-------------------	----------------	--------------	---------------------------	------------------	---------------

R-40 Uniflood™ Lamps Electronic HPF Dimmable, 120 volts

Average Lamp Life 10,000 Hrs. Average Ballast Life 50,000 Hrs.

15111	11	40	Electronic, 2700°K, CRI 84	.11A	7.00	5.25	400	>.90	<33%	35011	100-20%
15115	15	60	Electronic, 2700°K, CRI 84	.15A	7.00	5.25	690	>.90	<33%	35015	100-20%
15120	20	75	Electronic, 2700°K, CRI 84	.18A	7.00	5.25	900	>.90	<33%	35020	100-20%

R-40 Uniflood™ Lamps Electronic HPF, 120 volts

Average Lamp Life 10,000 Hrs. Average Ballast Life 50,000 Hrs.

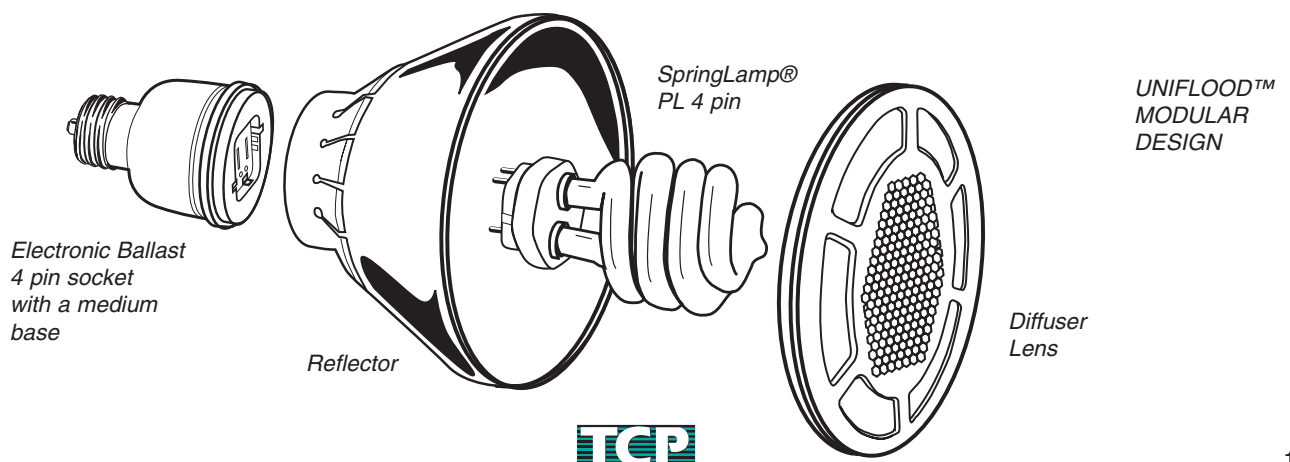
15311	11	40	Electronic, 2700°K, CRI 84	.11A	7.00	5.25	400	>.90	<33%	35011	N/A
15315	15	60	Electronic, 2700°K, CRI 84	.15A	7.00	5.25	690	>.90	<33%	35015	N/A
15318	18	75	Electronic, 2700°K, CRI 84	.18A	7.00	5.25	860	>.90	<33%	35018	N/A
15323	23	100	Electronic, 2700°K, CRI 84	.20A	7.00	5.25	1050	>.90	<33%	35023	N/A

R-40 Uniflood™ Lamps Electronic NPF, 120 volts

Average Lamp Life 10,000 Hrs. Average Ballast Life 50,000 Hrs.

15211	11	40	Electronic, 2700°K, CRI 84	.19A	7.00	5.25	400	>.90	<33%	35011	N/A
15215	15	60	Electronic, 2700°K, CRI 84	.24A	7.00	5.25	690	>.90	<33%	35015	N/A
15218	18	75	Electronic, 2700°K, CRI 84	.29A	7.00	5.25	860	>.90	<33%	35018	N/A
15223	23	100	Electronic, 2700°K, CRI 84	.35A	7.00	5.25	1050	>.90	<33%	35023	N/A

For Replacement TCX Base PL 4 pin Ballast Adapters see page 9 ; For Replacement TCX Base PL 4 pin Lamps see page 8

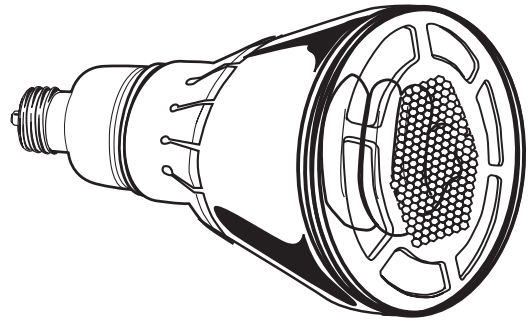


Floodlights

R-30 Uniflood™ Modular System

The New Uniflood™ Lamps are perfect for recessed can downlight fixtures. The shorter reflector allows for a better fit and the patented UL-listed SpringLamp® technology provides advanced light quality.

A modular design allows replacement of individual parts so you can replace the lamp and maximize ballast life for an enhanced return on investment.



TCP Part Number	Watts	Incandescent Watts Comparison	Ballast Type / Special Features Colors / CRI	Input Line Current	M.O.L. (Inches)	Diameter (Inches)	Initial Lumens	Power Factor	Total Harmonic Distortion	Replacement Lamp	Dimming Range
-----------------	-------	-------------------------------	--	--------------------	-----------------	-------------------	----------------	--------------	---------------------------	------------------	---------------

R-30 Uniflood™ Lamps Electronic HPF, **DIMMABLE** 120 volts

TCP Part Number	Watts	Incandescent Watts Comparison	Ballast Type / Special Features Colors / CRI	Input Line Current	M.O.L. (Inches)	Diameter (Inches)	Initial Lumens	Power Factor	Total Harmonic Distortion	Average Lamp Life 10,000 Hrs.	Average Ballast Life 50,000 Hrs.
15411	11	40	Electronic, 2700°K, CRI 84	.11A	6.50	3.75	400	>.90	<33%	35011	100-20%
15415	15	60	Electronic, 2700°K, CRI 84	.15A	6.50	3.75	690	>.90	<33%	35015	100-20%
15420	18	75	Electronic, 2700°K, CRI 84	.18A	6.50	3.75	900	>.90	<33%	35020	100-20%

R-30 Uniflood™ Lamps Electronic HPF, 120 volts

TCP Part Number	Watts	Incandescent Watts Comparison	Ballast Type / Special Features Colors / CRI	Input Line Current	M.O.L. (Inches)	Diameter (Inches)	Initial Lumens	Power Factor	Total Harmonic Distortion	Average Lamp Life 10,000 Hrs.	Average Ballast Life 50,000 Hrs.
15811	11	40	Electronic, 2700°K, CRI 84	.19A	6.50	3.75	400	>.90	<33%	35011	N/A
15815	15	60	Electronic, 2700°K, CRI 84	.24A	6.50	3.75	690	>.90	<33%	35015	N/A
15818	18	75	Electronic, 2700°K, CRI 84	.29A	6.50	3.75	860	>.90	<33%	35018	N/A

R-30 Uniflood™ Lamps Electronic NPF, 120 volts

TCP Part Number	Watts	Incandescent Watts Comparison	Ballast Type / Special Features Colors / CRI	Input Line Current	M.O.L. (Inches)	Diameter (Inches)	Initial Lumens	Power Factor	Total Harmonic Distortion	Average Lamp Life 10,000 Hrs.	Average Ballast Life 50,000 Hrs.
15611	11	40	Electronic, 2700°K, CRI 84	.19A	6.50	3.75	400	>.90	<33%	35011	N/A
15615	15	60	Electronic, 2700°K, CRI 84	.24A	6.50	3.75	690	>.90	<33%	35015	N/A
15618	18	75	Electronic, 2700°K, CRI 84	.29A	6.50	3.75	860	>.90	<33%	35018	N/A

For Replacement TCX Base PL 4 pin Ballast Adapters see page 9 ; For Replacement TCX Base PL 4 pin Lamps see page 8

